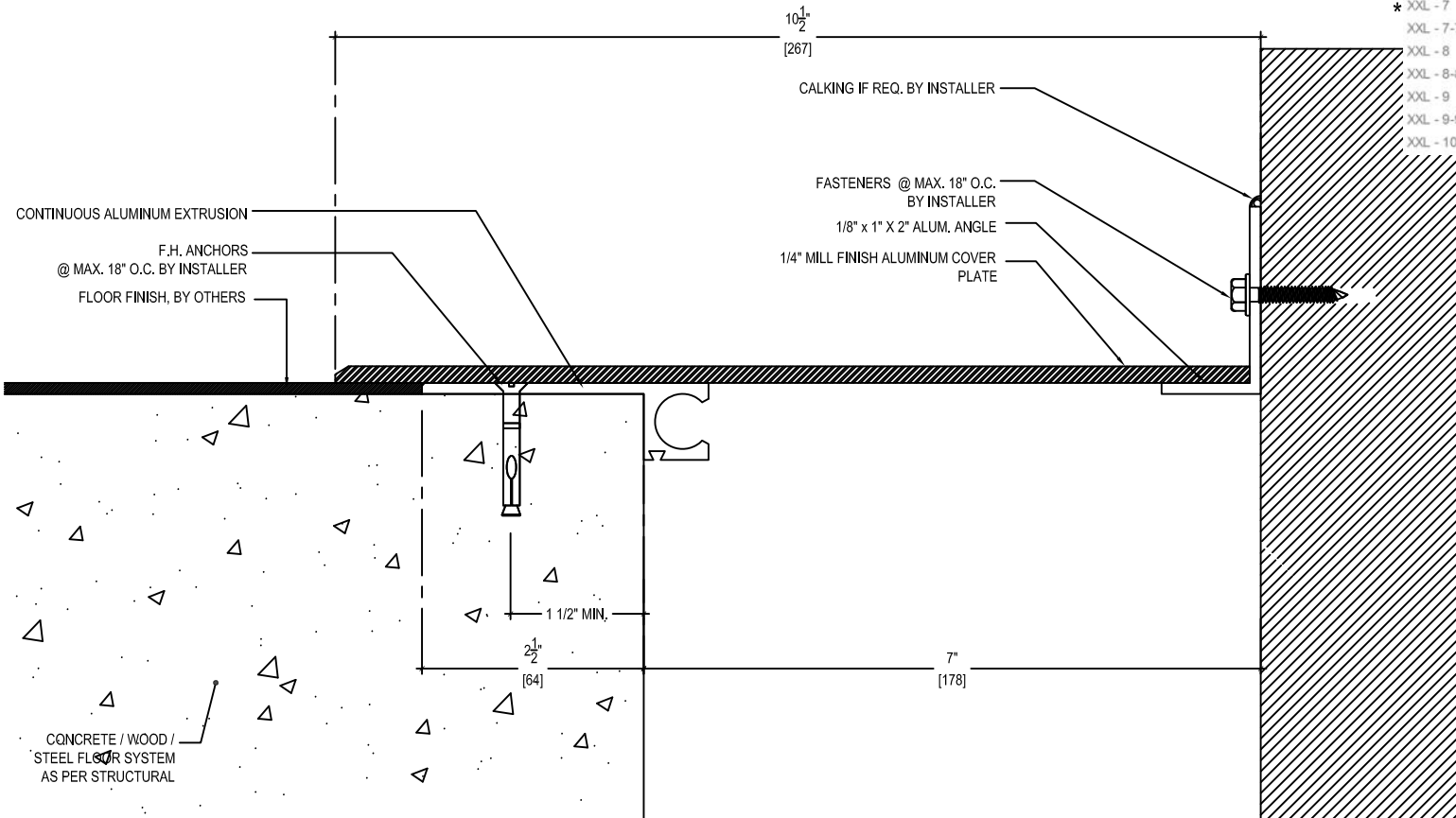


| MODEL     | A - VOID     | MAX. OPENING     | B - COVER        |
|-----------|--------------|------------------|------------------|
| XXL - 3   | 3" (76.20)   | 4 1/2" (114.30)  | 4 1/2" (114.30)  |
| XXL - 3-3 | 3" (76.20)   | 6" (152.40)      | 6" (152.40)      |
| XXL - 4   | 4" (101.60)  | 6" (152.40)      | 6" (152.40)      |
| XXL - 4-4 | 4" (101.60)  | 8" (203.20)      | 8" (203.20)      |
| XXL - 5   | 5" (127.00)  | 7 1/2" (190.50)  | 7 1/2" (190.50)  |
| XXL - 5-5 | 5" (127.00)  | 10" (254.00)     | 10" (254.00)     |
| XXL - 6   | 6" (152.40)  | 9" (228.60)      | 9" (228.60)      |
| XXL - 6-6 | 6" (152.40)  | 12" (304.80)     | 12" (304.80)     |
| * XXL - 7 | 7" (177.80)  | 10 1/2" (266.70) | 10 1/2" (266.70) |
| XXL - 7-7 | 7" (177.80)  | 14" (355.60)     | 14" (355.60)     |
| XXL - 8   | 8" (203.20)  | 12" (304.80)     | 12" (304.80)     |
| XXL - 8-8 | 8" (203.20)  | 16" (406.40)     | 16" (406.40)     |
| XXL - 9   | 9" (228.60)  | 13 1/2" (342.90) | 13 1/2" (342.90) |
| XXL - 9-9 | 9" (228.60)  | 18" (457.20)     | 18" (457.20)     |
| XXL - 10  | 10" (254.00) | 15" (381.00)     | 15" (381.00)     |



**M.H. POWELL & CO., INC.**  
ARCHITECTURAL SEISMIC EXPANSION JOINT SYSTEMS

2313 YATES AVENUE | PHONE : (323) 887-0037  
 COMMERCE, CA 90040 | FAX : (323) 887-0877  
 | WEB : www.mhpowell.net

**MODEL - XXL - 7**

PROJECT : \_\_\_\_\_ PROJECT # : \_\_\_\_\_ PAGE # \_\_\_\_\_  
 LOCATION : \_\_\_\_\_ DATE : \_\_\_\_\_  
 ARCHITECT : \_\_\_\_\_  
 CUSTOMER : \_\_\_\_\_